



## QUICK INSTALLATION GUIDE

**RAILING SERIES**  
SIDE OPTION

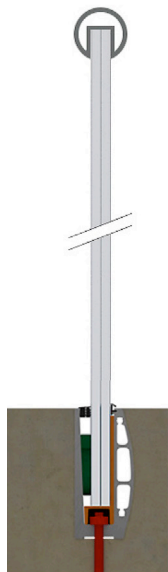
acristalia

## ONE PROFILE, THREE SOLUTIONS

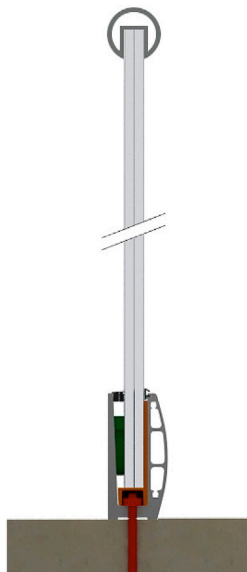
The versatility of our Railing Series railing system is already well known, offering the possibility of adapting to any surface depending on the type of installation required, offering three basic types of solutions:

- **embedded**, which inserts the profile on site by screwing it into the base, leaving only the glass and the rubber seals at the top visible;
- **surface**, in which the profile is screwed onto the floor, providing extra protection for the glass in the form of a plinth;
- **side**, where the profile is screwed to the wall on the outside and an aesthetic cover profile is attached.

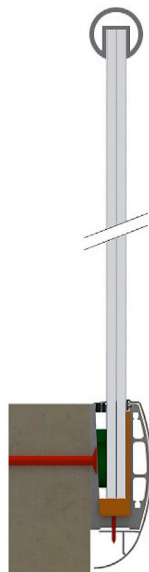
### EMBEDDED SOLUTION



### SURFACE SOLUTION



### SIDE SOLUTION

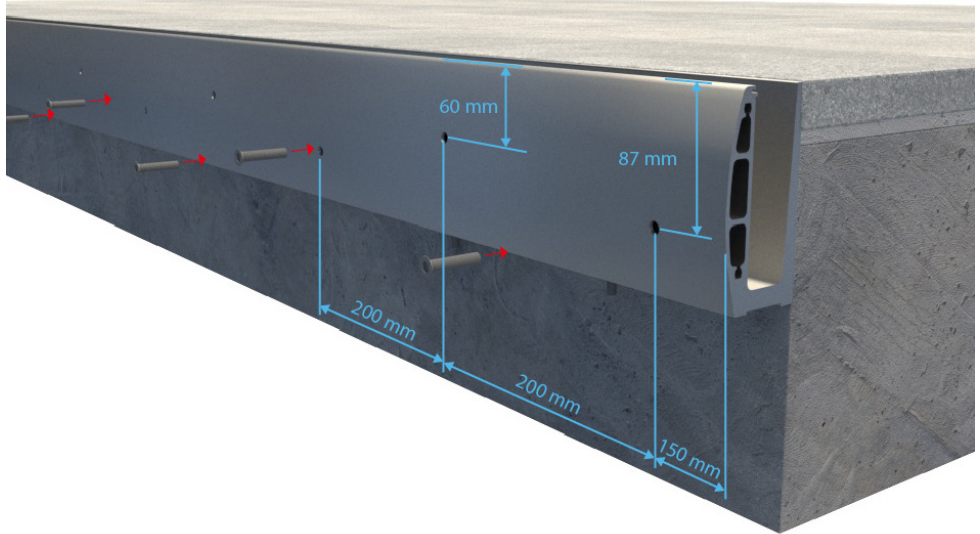


In addition, thanks to the compatibility of the Railing & Basic Pro Series, the two products can be integrated into one installation. The railing is equipped with a handrail that serves as a guide for the glass curtain. All profiles are customisable, offering a comprehensive solution, as we have a wide catalogue of brackets, components, glass alignment parts and accessories that will turn any idea into a reality to be leaned on.

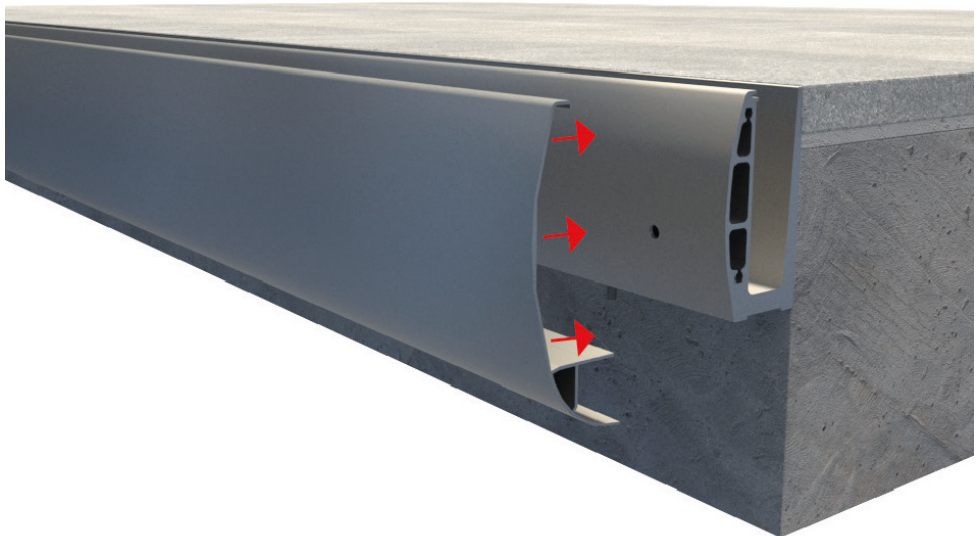
On this occasion, we are going to show the correct way to install the side solution, in which, following a few simple steps, you will be able to install our Acristalia Railing Series railing without difficulty.

## STEPS

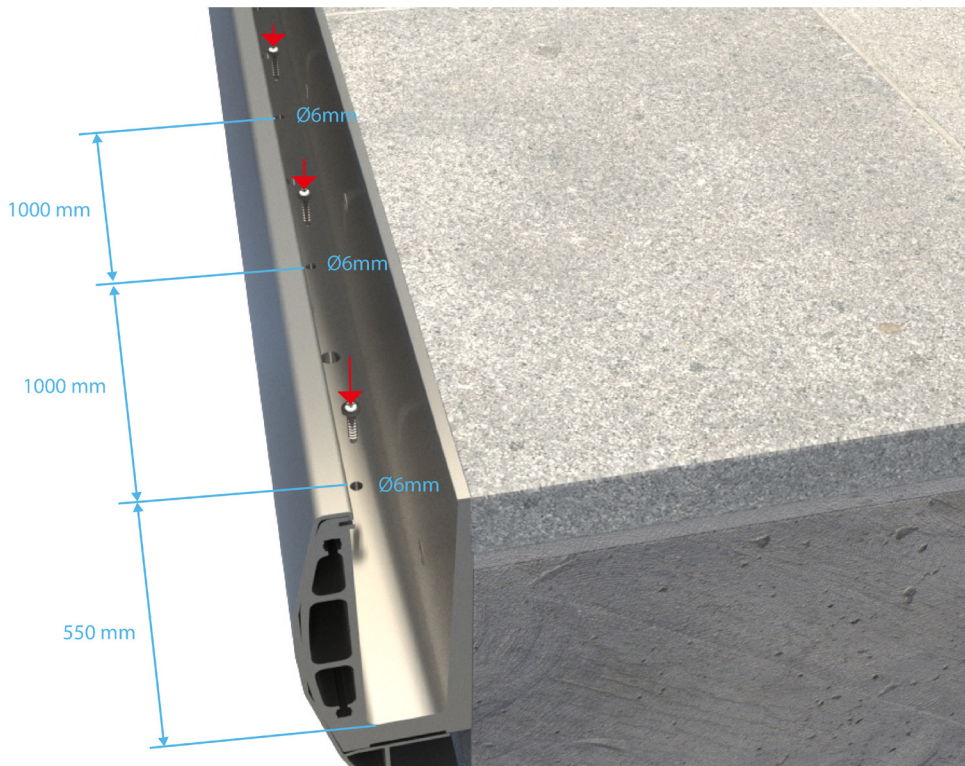
1. The distance between fixings is 200mm and 150mm to the edges. An anchorage with countersunk head screws with a minimum length of 120 mm is considered



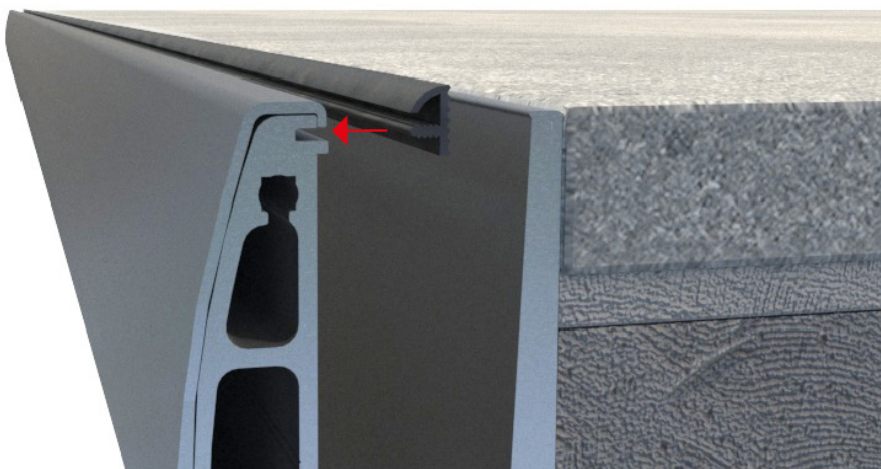
2. Place the cover on the Railing profile.



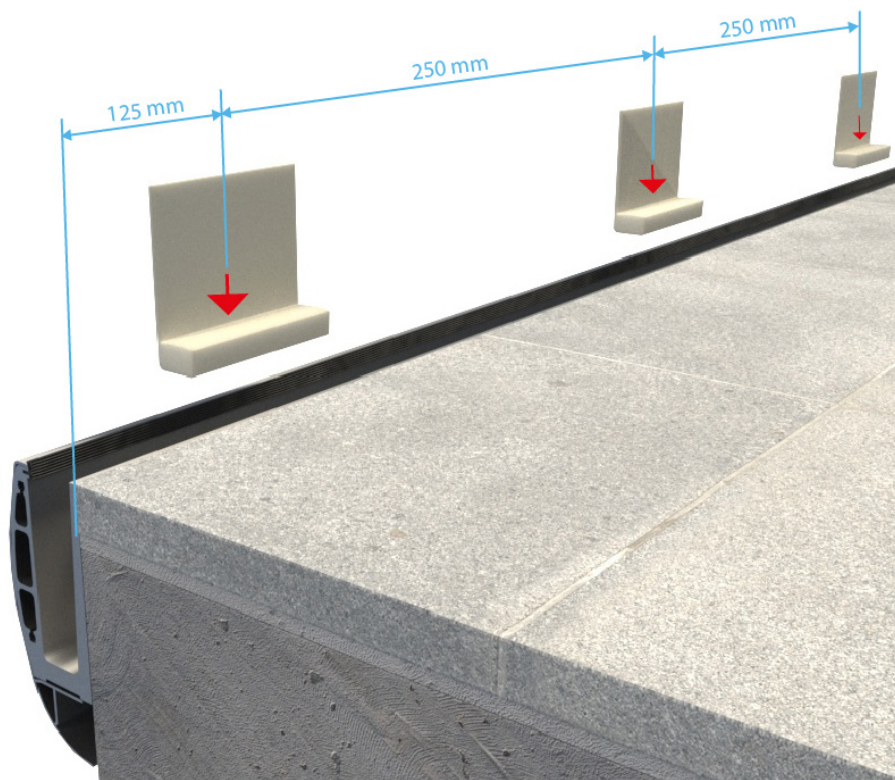
3. Fasten the cover to the profile with screws, distance between screws of 1000mm and 550mm from the edges.



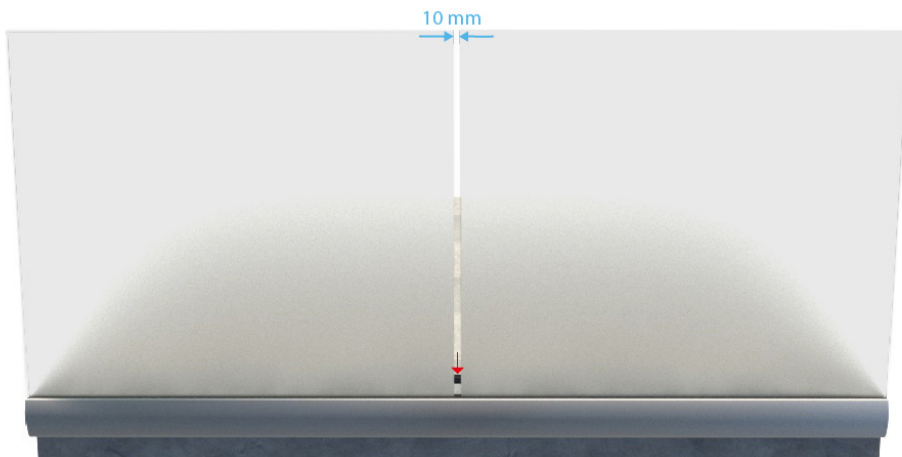
4. Insert the seal into the outer face of the Railing profile.



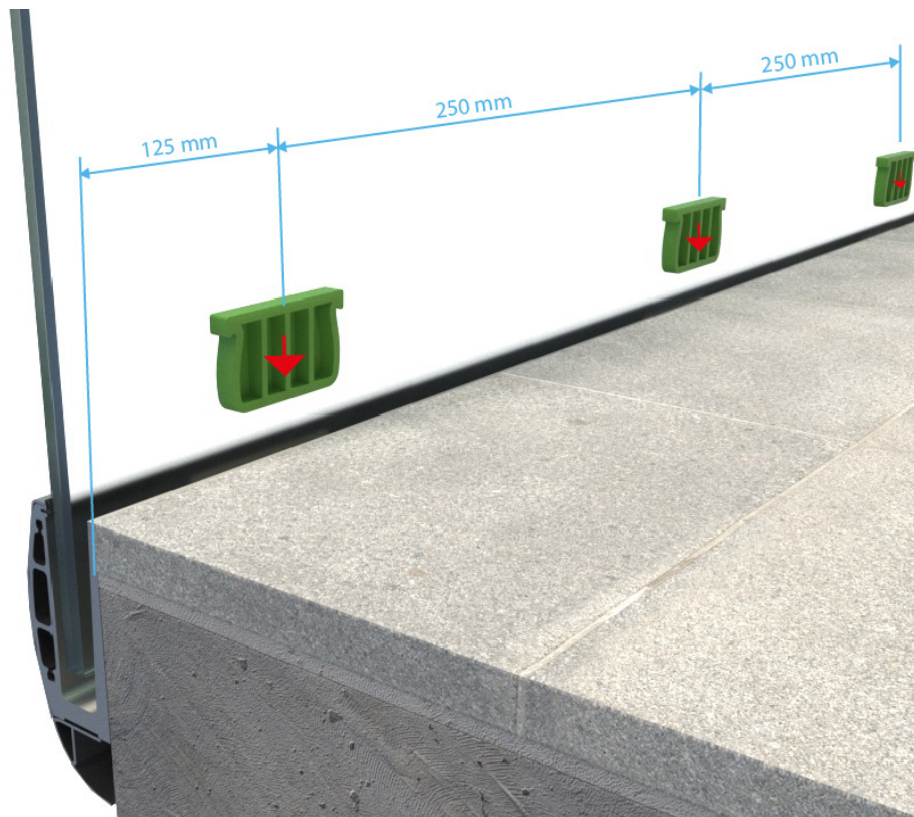
5. Insert the glass seats respecting the position and distances marked on the detail.



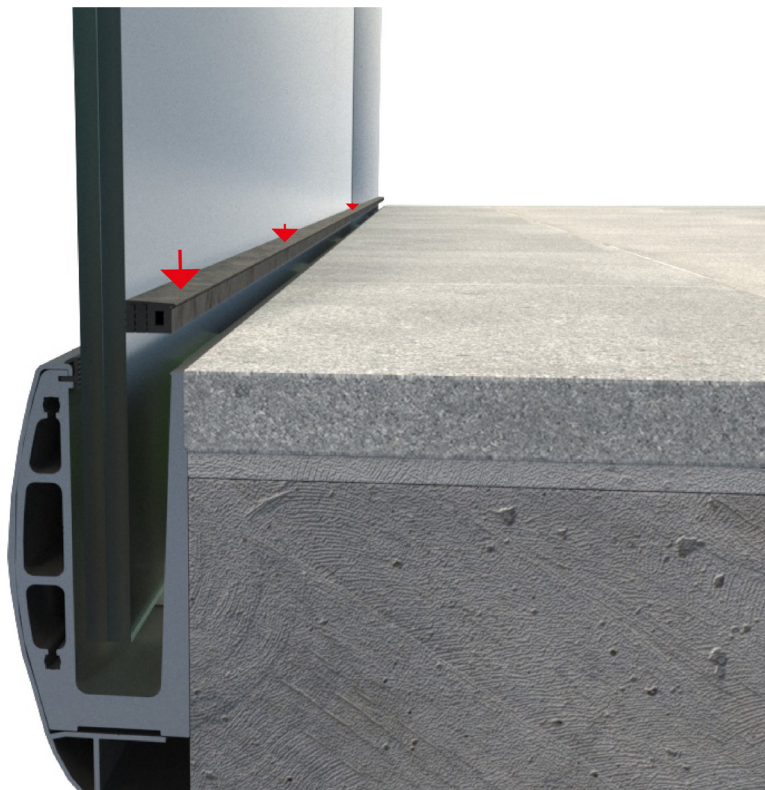
6. Insert the glass panels leaving a gap of 10mm between them, use the neoprene pieces to cover the Railing profile space between the panels.

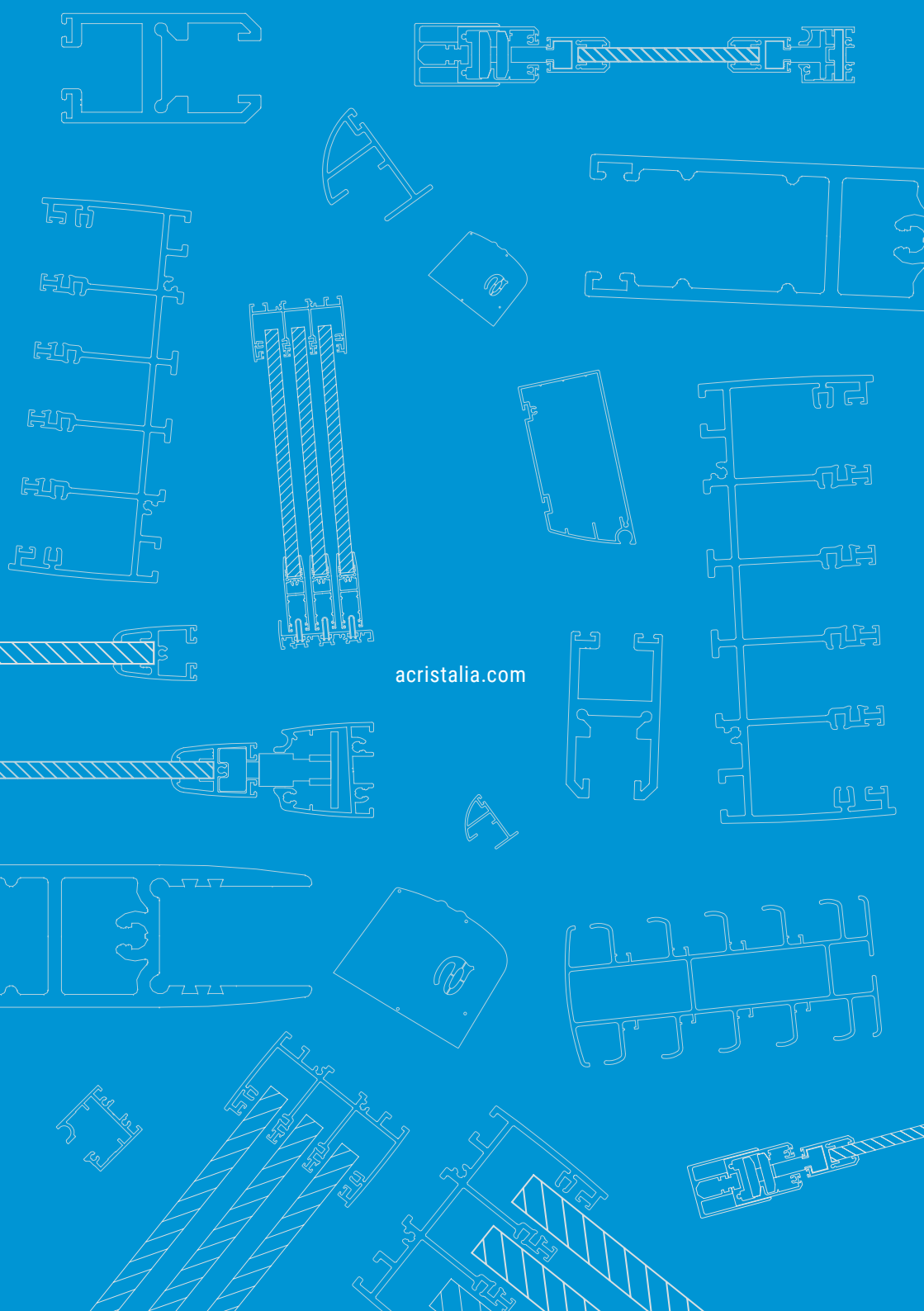


7. The fixing shims are pressed in and centred on the previously installed seats.



8. Press with pressure the seals on the inside face of the Railing profile, previously sectioned to adapt it to the thickness of the installed glass.





acristalia.com